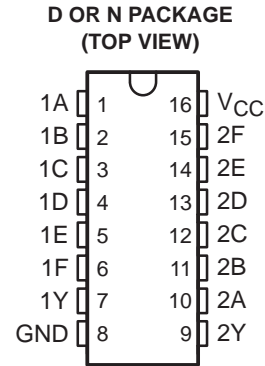


- Meets or Exceeds the Requirements of IBM™ System 360 Input/Output Interface Specification
- Operate From Single 5-V Supply
- TTL Compatible
- 3.11-V Output at  $I_{OH} = -59.3$  mA
- Uncommitted Emitter-Follower Output Structure for Party-Line Operation
- Short-Circuit Protection
- AND-OR Logic Configuration
- Designed for Use With Triple Line Receiver SN75124
- Designed to Be Interchangeable With N8T13 and N8T23



**THE SN751730 IS RECOMMENDED  
FOR NEW IBM 360/370 INTERFACE DESIGNS.**

## description

The SN75123 is a dual line driver specifically designed to meet the input/output interface specifications for IBM System 360. It also is compatible with standard-TTL logic and supply-voltage levels.

The SN75123 low-impedance emitter-follower outputs drive terminated lines such as coaxial cable or twisted pair. Having the outputs uncommitted allows wired-OR logic to be performed in party-line applications. Output short-circuit protection is provided by an internal clamping network that turns on when the output voltage drops below approximately 1.5 V. All the inputs are in conventional TTL configuration, and the gating can be used during power-up and power-down sequences to ensure that no noise is introduced to the line.

The SN75123 is characterized for operation from 0°C to 70°C.

**FUNCTION TABLE**

| INPUTS                       |   |   |   |   |   | OUTPUT |
|------------------------------|---|---|---|---|---|--------|
| A                            | B | C | D | E | F | Y      |
| H                            | H | H | H | X | X | H      |
| X                            | X | X | X | H | H | H      |
| All other input combinations |   |   |   |   |   | L      |

H = high level, L = low level, X = irrelevant



Please be aware that an important notice concerning availability, standard warranty, and use in critical applications of Texas Instruments semiconductor products and disclaimers thereto appears at the end of this data sheet.

IBM is a trademark of International Business Machines Corp.

PRODUCTION DATA information is current as of publication date. Products conform to specifications per the terms of Texas Instruments standard warranty. Production processing does not necessarily include testing of all parameters.



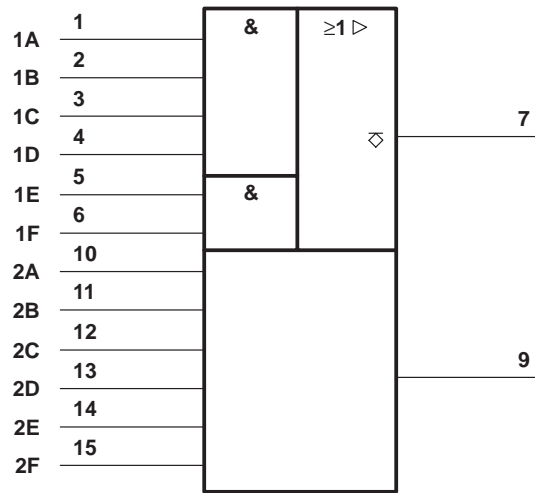
POST OFFICE BOX 655303 • DALLAS, TEXAS 75265

Copyright © 1998, Texas Instruments Incorporated

# SN75123 DUAL LINE DRIVER

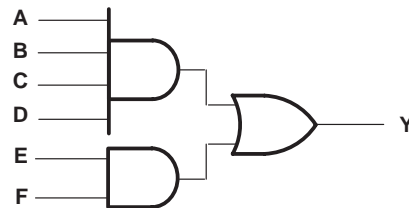
SLLS086C – SEPTEMBER 1973 – REVISED APRIL 1998

## logic symbol†

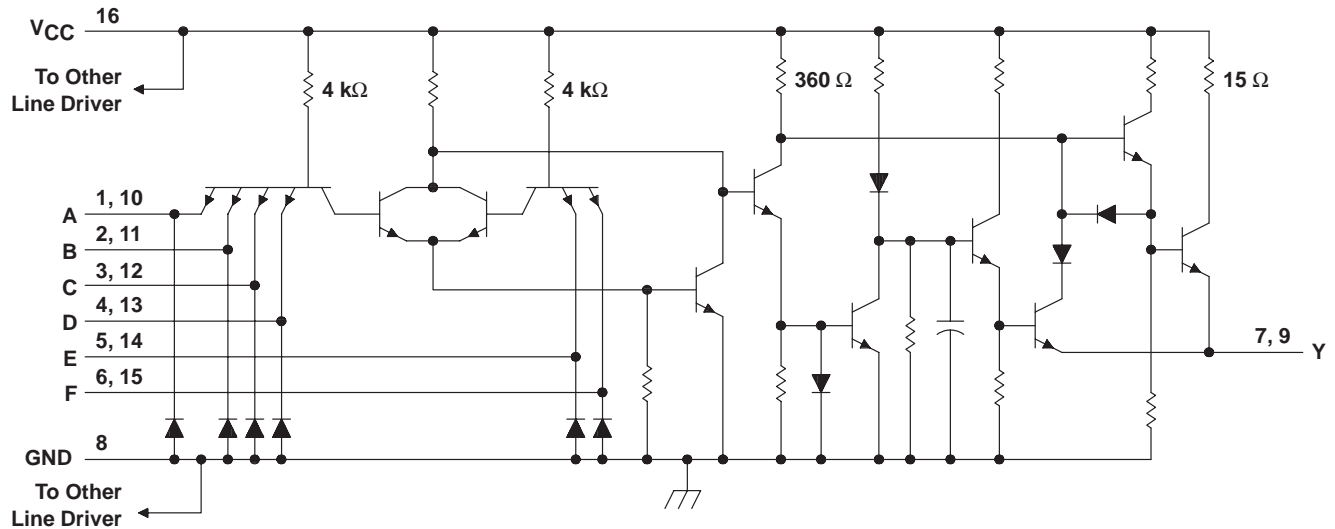


† This symbol is in accordance with ANSI/IEEE Std 91-1984 and IEC Publication 617-12.

## logic diagram (positive logic)



## schematic (each driver)



Resistor values shown are nominal.

## absolute maximum ratings over operating free-air temperature range (unless otherwise noted)†

|  |                |
|--|----------------|
| Supply voltage, $V_{CC}$ (see Note 1)  | 7 V            |
| Input voltage, $V_I$   | 5.5 V          |
| Output voltage, $V_O$  | 7 V            |
| Continuous total dissipation at (or below) 25°C free-air temperature (see Note 2): |                |
| D package  | 950 mW         |
| N package  | 1150 mW        |
| Operating free-air temperature range, $T_A$  | 0°C to 70°C    |
| Storage temperature range, $T_{stg}$   | -65°C to 150°C |
| Lead temperature 1,6 mm (1/16 inch) from case for 10 seconds                       | 260°C          |

† Stresses beyond those listed under "absolute maximum ratings" may cause permanent damage to the device. These are stress ratings only, and functional operation of the device at these or any other conditions beyond those indicated under "recommended operating conditions" is not implied. Exposure to absolute-maximum-rated conditions for extended periods may affect device reliability.

- NOTES: 1. All voltage values, except differential input voltage, are with respect to network ground terminal.  
 2. For operation above 25°C free-air temperature, derate the D package to 608 mW at 70°C at the rate of 7.6 mW/°C and the N package to 736 mW at 70°C at the rate of 9.2 mW/°C.

## recommended operating conditions

|                                       | MIN  | NOM | MAX  | UNIT |
|---------------------------------------|------|-----|------|------|
| Supply voltage, $V_{CC}$              | 4.75 | 5   | 5.25 | V    |
| High-level input voltage, $V_{IH}$    | 2    |     |      | V    |
| Low-level input voltage, $V_{IL}$     |      |     | 0.8  | V    |
| High-level output current, $I_{OH}$   |      |     | -100 | mA   |
| Operating free-air temperature, $T_A$ | 0    |     | 70   | °C   |

# SN75123 DUAL LINE DRIVER

SLLS086C – SEPTEMBER 1973 – REVISED APRIL 1998

## electrical characteristics, $V_{CC} = 4.75\text{ V to }5.25\text{ V}$ , $T_A = 0^\circ\text{C to }70^\circ\text{C}$ (unless otherwise noted)

| PARAMETER                              | TEST CONDITIONS   | MIN   | MAX  | UNIT          |
|--|---|---|------|---------------|
| $V_{IK}$ Input clamp voltage           | $V_{CC} = 5\text{ V}$ , $I_I = -12\text{ mA}$   |   | -1.5 | V             |
| $V_{I(BR)}$ Input breakdown voltage    | $V_{CC} = 5\text{ V}$ , $I_I = 10\text{ mA}$  | 5.5   |      | V             |
| $V_{OH}$ High-level output voltage     | $V_{CC} = 5\text{ V}$ , $V_{IH} = 2\text{ V}$ , $I_{OH} = -59.3\text{ mA}$ , See Note 3                         | $T_A = 25^\circ\text{C}$                    | 3.11 | V             |
|  |   | $T_A = 0^\circ\text{C to }70^\circ\text{C}$ | 2.9  |               |
| $V_{OL}$ Low-level output voltage      | $V_{IL} = 0.8\text{ V}$ , $I_{OL} = -240\text{ }\mu\text{A}$ , See Note 3                                       |   | 0.15 | V             |
| $I_{OH}$ High-level output current     | $V_{CC} = 5\text{ V}$ , $V_{IH} = 4.5\text{ V}$ , $V_{OH} = 2\text{ V}$ , $T_A = 25^\circ\text{C}$ , See Note 3 | -100  | -250 | mA            |
| $I_{O(off)}$ Off-state output current  | $V_{CC} = 0$ , $V_O = 3\text{ V}$   |   | 40   | $\mu\text{A}$ |
| $I_{IH}$ High-level input current      | $V_I = 4.5\text{ V}$  |   | 40   | $\mu\text{A}$ |
| $I_{IL}$ Low-level input current       | $V_I = 0.4\text{ V}$  | -0.1  | -1.6 | mA            |
| $I_{OS}$ Short-circuit output current† | $V_{CC} = 5\text{ V}$ , $T_A = 25^\circ\text{C}$  |   | -30  | mA            |
| $I_{CCH}$ Supply current, outputs high | $V_{CC} = 5.25\text{ V}$ , All inputs at 2 V, Outputs open  |   | 28   | mA            |
| $I_{CCL}$ Supply current, outputs low  | $V_{CC} = 5.25\text{ V}$ , All inputs at 0.8 V, Outputs open  |   | 60   | mA            |

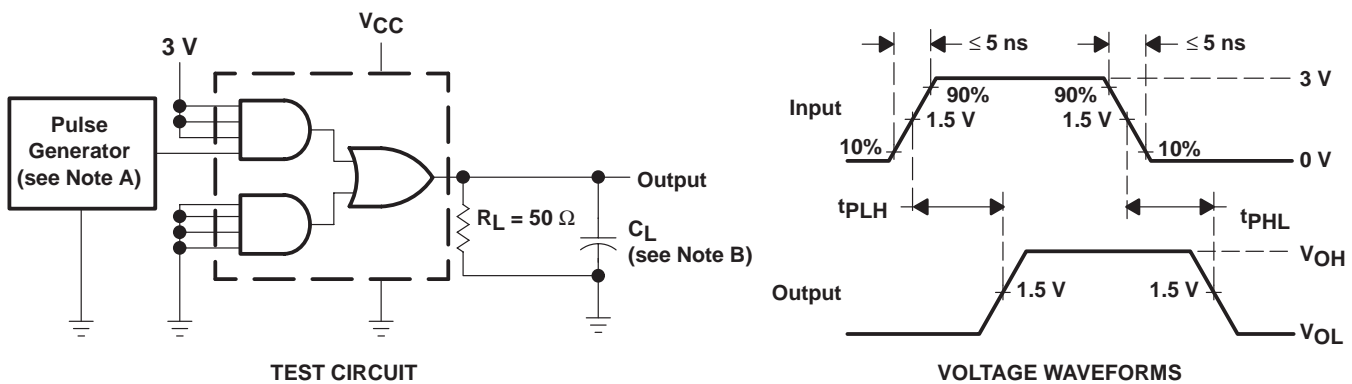
† Not more than one output should be shorted at a time.

NOTE 3: The output voltage and current limits are valid for any appropriate combination of high and low inputs specified by the function table for the desired output.

## switching characteristics, $V_{CC} = 5\text{ V}$ , $T_A = 25^\circ\text{C}$

| PARAMETER   | TEST CONDITIONS   | MIN | TYP | MAX | UNIT |
|---|---|-----|-----|-----|------|
| $t_{PLH}$ Propagation delay time, low- to high-level output | $R_L = 50\text{ }\Omega$ , $C_L = 15\text{ pF}$ , See Figure 1  |     | 12  | 20  | ns   |
| $t_{PHL}$ Propagation delay time, high- to low-level output | $R_L = 50\text{ }\Omega$ , $C_L = 15\text{ pF}$ , See Figure 1  |     | 12  | 20  | ns   |
| $t_{PLH}$ Propagation delay time, low- to high-level output | $R_L = 50\text{ }\Omega$ , $C_L = 100\text{ pF}$ , See Figure 1 |     | 20  | 35  | ns   |
| $t_{PHL}$ Propagation delay time, high- to low-level output | $R_L = 50\text{ }\Omega$ , $C_L = 100\text{ pF}$ , See Figure 1 |     | 15  | 25  | ns   |

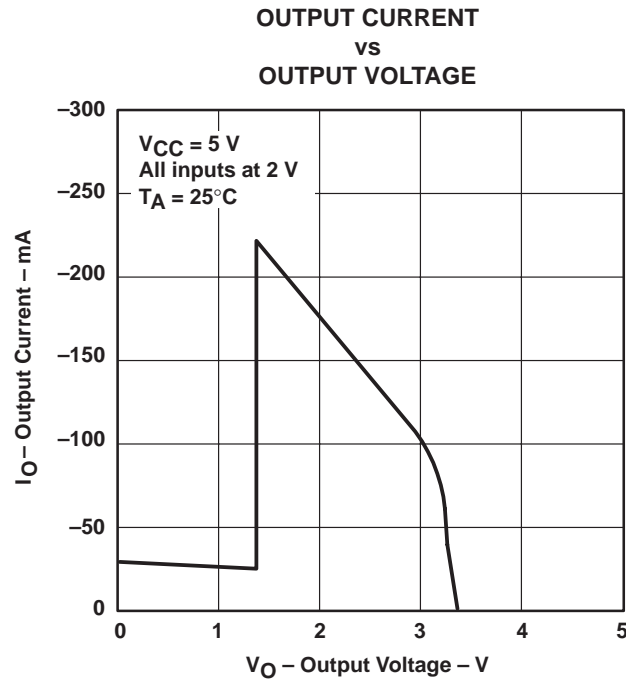
### PARAMETER MEASUREMENT INFORMATION



- NOTES: A. The pulse generator has the following characteristics:  $Z_O = 50\text{ }\Omega$ ,  $t_w = 200\text{ ns}$ , duty cycle = 50%.  
B.  $C_L$  Includes probe and jig capacitance.

Figure 1. Test Circuit and Voltage Waveforms

TYPICAL CHARACTERISTICS



APPLICATION INFORMATION

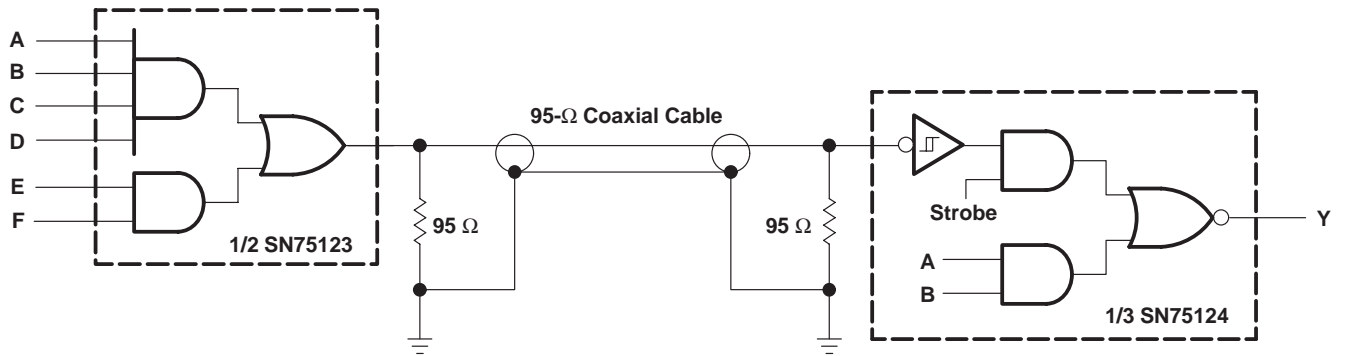


Figure 3. Unbalanced Line Communication Using SN75123 and SN75124

**PACKAGING INFORMATION**

| Orderable Device | Status<br>(1) | Package Type | Package Drawing | Pins | Package Qty | Eco Plan<br>(2)   | Lead/Ball Finish<br>(6) | MSL Peak Temp<br>(3) | Op Temp (°C) | Device Marking<br>(4/5) | Samples |
|------------------|---------------|--------------|-----------------|------|-------------|-------------------|-------------------------|----------------------|--------------|-------------------------|---------|
| SN75123D         | OBSOLETE      | SOIC         | D               | 16   |             | TBD               | Call TI                 | Call TI              | 0 to 70      |                         |         |
| SN75123DR        | OBSOLETE      | SOIC         | D               | 16   |             | TBD               | Call TI                 | Call TI              | 0 to 70      |                         |         |
| SN75123N         | ACTIVE        | PDIP         | N               | 16   | 25          | Pb-Free<br>(RoHS) | CU NIPDAU               | N / A for Pkg Type   | 0 to 70      | SN75123N                | Samples |

(1) The marketing status values are defined as follows:

**ACTIVE:** Product device recommended for new designs.

**LIFEBUY:** TI has announced that the device will be discontinued, and a lifetime-buy period is in effect.

**NRND:** Not recommended for new designs. Device is in production to support existing customers, but TI does not recommend using this part in a new design.

**PREVIEW:** Device has been announced but is not in production. Samples may or may not be available.

**OBSOLETE:** TI has discontinued the production of the device.

(2) Eco Plan - The planned eco-friendly classification: Pb-Free (RoHS), Pb-Free (RoHS Exempt), or Green (RoHS & no Sb/Br) - please check <http://www.ti.com/productcontent> for the latest availability information and additional product content details.

**TBD:** The Pb-Free/Green conversion plan has not been defined.

**Pb-Free (RoHS):** TI's terms "Lead-Free" or "Pb-Free" mean semiconductor products that are compatible with the current RoHS requirements for all 6 substances, including the requirement that lead not exceed 0.1% by weight in homogeneous materials. Where designed to be soldered at high temperatures, TI Pb-Free products are suitable for use in specified lead-free processes.

**Pb-Free (RoHS Exempt):** This component has a RoHS exemption for either 1) lead-based flip-chip solder bumps used between the die and package, or 2) lead-based die adhesive used between the die and leadframe. The component is otherwise considered Pb-Free (RoHS compatible) as defined above.

**Green (RoHS & no Sb/Br):** TI defines "Green" to mean Pb-Free (RoHS compatible), and free of Bromine (Br) and Antimony (Sb) based flame retardants (Br or Sb do not exceed 0.1% by weight in homogeneous material)

(3) MSL, Peak Temp. - The Moisture Sensitivity Level rating according to the JEDEC industry standard classifications, and peak solder temperature.

(4) There may be additional marking, which relates to the logo, the lot trace code information, or the environmental category on the device.

(5) Multiple Device Markings will be inside parentheses. Only one Device Marking contained in parentheses and separated by a "~" will appear on a device. If a line is indented then it is a continuation of the previous line and the two combined represent the entire Device Marking for that device.

(6) Lead/Ball Finish - Orderable Devices may have multiple material finish options. Finish options are separated by a vertical ruled line. Lead/Ball Finish values may wrap to two lines if the finish value exceeds the maximum column width.

**Important Information and Disclaimer:** The information provided on this page represents TI's knowledge and belief as of the date that it is provided. TI bases its knowledge and belief on information provided by third parties, and makes no representation or warranty as to the accuracy of such information. Efforts are underway to better integrate information from third parties. TI has taken and continues to take reasonable steps to provide representative and accurate information but may not have conducted destructive testing or chemical analysis on incoming materials and chemicals. TI and TI suppliers consider certain information to be proprietary, and thus CAS numbers and other limited information may not be available for release.

In no event shall TI's liability arising out of such information exceed the total purchase price of the TI part(s) at issue in this document sold by TI to Customer on an annual basis.

N (R-PDIP-T\*\*)

PLASTIC DUAL-IN-LINE PACKAGE

16 PINS SHOWN



- NOTES:
- A. All linear dimensions are in inches (millimeters).
  - B. This drawing is subject to change without notice.
  - $\triangle C$  Falls within JEDEC MS-001, except 18 and 20 pin minimum body length (Dim A).
  - $\triangle D$  The 20 pin end lead shoulder width is a vendor option, either half or full width.

4040049/E 12/2002



D (R-PDSO-G16)

PLASTIC SMALL OUTLINE



4040047-6/M 06/11

- NOTES:
- A. All linear dimensions are in inches (millimeters).
  - B. This drawing is subject to change without notice.
  -  C. Body length does not include mold flash, protrusions, or gate burrs. Mold flash, protrusions, or gate burrs shall not exceed 0.006 (0,15) each side.
  -  D. Body width does not include interlead flash. Interlead flash shall not exceed 0.017 (0,43) each side.
  - E. Reference JEDEC MS-012 variation AC.

## IMPORTANT NOTICE

Texas Instruments Incorporated and its subsidiaries (TI) reserve the right to make corrections, enhancements, improvements and other changes to its semiconductor products and services per JESD46, latest issue, and to discontinue any product or service per JESD48, latest issue. Buyers should obtain the latest relevant information before placing orders and should verify that such information is current and complete. All semiconductor products (also referred to herein as "components") are sold subject to TI's terms and conditions of sale supplied at the time of order acknowledgment.

TI warrants performance of its components to the specifications applicable at the time of sale, in accordance with the warranty in TI's terms and conditions of sale of semiconductor products. Testing and other quality control techniques are used to the extent TI deems necessary to support this warranty. Except where mandated by applicable law, testing of all parameters of each component is not necessarily performed.

TI assumes no liability for applications assistance or the design of Buyers' products. Buyers are responsible for their products and applications using TI components. To minimize the risks associated with Buyers' products and applications, Buyers should provide adequate design and operating safeguards.

TI does not warrant or represent that any license, either express or implied, is granted under any patent right, copyright, mask work right, or other intellectual property right relating to any combination, machine, or process in which TI components or services are used. Information published by TI regarding third-party products or services does not constitute a license to use such products or services or a warranty or endorsement thereof. Use of such information may require a license from a third party under the patents or other intellectual property of the third party, or a license from TI under the patents or other intellectual property of TI.

Reproduction of significant portions of TI information in TI data books or data sheets is permissible only if reproduction is without alteration and is accompanied by all associated warranties, conditions, limitations, and notices. TI is not responsible or liable for such altered documentation. Information of third parties may be subject to additional restrictions.

Resale of TI components or services with statements different from or beyond the parameters stated by TI for that component or service voids all express and any implied warranties for the associated TI component or service and is an unfair and deceptive business practice. TI is not responsible or liable for any such statements.

Buyer acknowledges and agrees that it is solely responsible for compliance with all legal, regulatory and safety-related requirements concerning its products, and any use of TI components in its applications, notwithstanding any applications-related information or support that may be provided by TI. Buyer represents and agrees that it has all the necessary expertise to create and implement safeguards which anticipate dangerous consequences of failures, monitor failures and their consequences, lessen the likelihood of failures that might cause harm and take appropriate remedial actions. Buyer will fully indemnify TI and its representatives against any damages arising out of the use of any TI components in safety-critical applications.

In some cases, TI components may be promoted specifically to facilitate safety-related applications. With such components, TI's goal is to help enable customers to design and create their own end-product solutions that meet applicable functional safety standards and requirements. Nonetheless, such components are subject to these terms.

No TI components are authorized for use in FDA Class III (or similar life-critical medical equipment) unless authorized officers of the parties have executed a special agreement specifically governing such use.

Only those TI components which TI has specifically designated as military grade or "enhanced plastic" are designed and intended for use in military/aerospace applications or environments. Buyer acknowledges and agrees that any military or aerospace use of TI components which have **not** been so designated is solely at the Buyer's risk, and that Buyer is solely responsible for compliance with all legal and regulatory requirements in connection with such use.

TI has specifically designated certain components as meeting ISO/TS16949 requirements, mainly for automotive use. In any case of use of non-designated products, TI will not be responsible for any failure to meet ISO/TS16949.

### Products

|                              |  |
|------------------------------|--|
| Audio                        | <a href="http://www.ti.com/audio">www.ti.com/audio</a>                               |
| Amplifiers                   | <a href="http://amplifier.ti.com">amplifier.ti.com</a>                               |
| Data Converters              | <a href="http://dataconverter.ti.com">dataconverter.ti.com</a>                       |
| DLP® Products                | <a href="http://www.dlp.com">www.dlp.com</a>   |
| DSP                          | <a href="http://dsp.ti.com">dsp.ti.com</a>   |
| Clocks and Timers            | <a href="http://www.ti.com/clocks">www.ti.com/clocks</a>                             |
| Interface                    | <a href="http://interface.ti.com">interface.ti.com</a>                               |
| Logic                        | <a href="http://logic.ti.com">logic.ti.com</a>                                       |
| Power Mgmt                   | <a href="http://power.ti.com">power.ti.com</a>                                       |
| Microcontrollers             | <a href="http://microcontroller.ti.com">microcontroller.ti.com</a>                   |
| RFID                         | <a href="http://www.ti-rfid.com">www.ti-rfid.com</a>                                 |
| OMAP Applications Processors | <a href="http://www.ti.com/omap">www.ti.com/omap</a>                                 |
| Wireless Connectivity        | <a href="http://www.ti.com/wirelessconnectivity">www.ti.com/wirelessconnectivity</a> |

### Applications

|                               |  |
|-------------------------------|--|
| Automotive and Transportation | <a href="http://www.ti.com/automotive">www.ti.com/automotive</a>                         |
| Communications and Telecom    | <a href="http://www.ti.com/communications">www.ti.com/communications</a>                 |
| Computers and Peripherals     | <a href="http://www.ti.com/computers">www.ti.com/computers</a>                           |
| Consumer Electronics          | <a href="http://www.ti.com/consumer-apps">www.ti.com/consumer-apps</a>                   |
| Energy and Lighting           | <a href="http://www.ti.com/energy">www.ti.com/energy</a>                                 |
| Industrial                    | <a href="http://www.ti.com/industrial">www.ti.com/industrial</a>                         |
| Medical                       | <a href="http://www.ti.com/medical">www.ti.com/medical</a>                               |
| Security                      | <a href="http://www.ti.com/security">www.ti.com/security</a>                             |
| Space, Avionics and Defense   | <a href="http://www.ti.com/space-avionics-defense">www.ti.com/space-avionics-defense</a> |
| Video and Imaging             | <a href="http://www.ti.com/video">www.ti.com/video</a>                                   |

### TI E2E Community

[e2e.ti.com](http://e2e.ti.com)